

INSTALLING

STANDARD ROTO OPERATOR

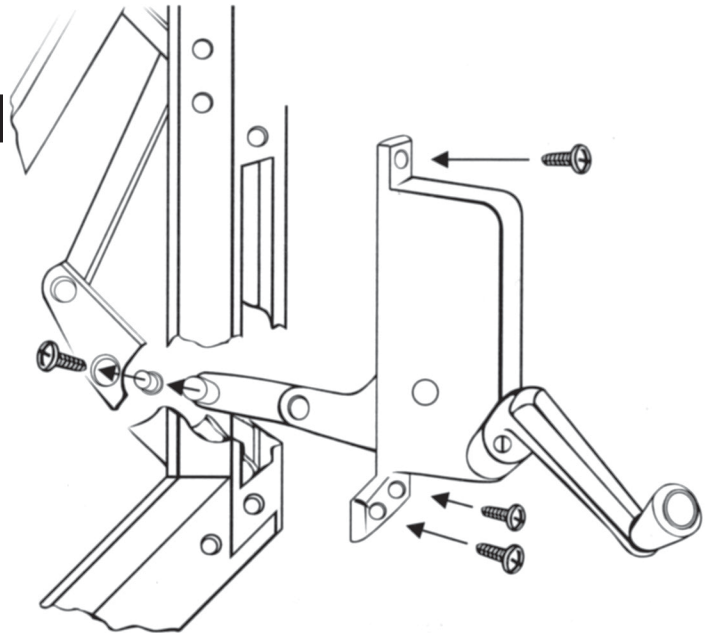
STEP 1: Open window by pressing in on vertical bar located inside operator slot. Victor windows are pre-locked at factory.

STEP 2: Install operator crank handle. Secure by tightening set screw. Crank out gear arm to horizontal position.

STEP 3: Remove link stud screw and attach nylon bushing. Insert linkage through operator slot. Line up link stud with hole in torque bar arm. Re-attach screw.

STEP 4: Adjust operator as required to line up with installation holes in frame. Install using screws provided. Test operation.

Note: If window is to be installed through jamb, crank out vents to expose installation holes in frame.



INSTALLING SINGLE WINDOW STANDARD TYPE

STEP 1: *Prepare Opening*

Frame members at wall opening should be level and square. Exterior sheathing & wrapping material should fit flush with opening.

STEP 2: *Check Frame Size*

A good rule of thumb is to have a minimum clearance of approximately 1/16" on all four sides of window masterframe (see measuring). Check window in opening for proper clearance.

Note: For windows with fins, pre-punch or drill holes in nailing fin prior to proceeding.

STEP 3: *Apply Caulking*

Run a bead of caulk around exterior frame edge. To insure a weather tight seal, apply a second bead at back of flange where it meets the masterframe.

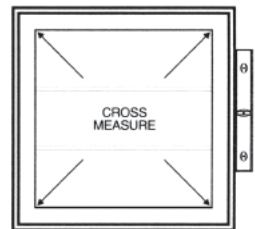
Note: Be sure to trim off leaf vinyl extensions at head and sill.

STEP 4: *Set Window In Opening*

From outside, insert window and push tight against frame to spread caulk around flange perimeter. Using installation screws from hardware kit, fasten window through pre-punched holes in jamb. 'Snug' screws, but do not tighten.

STEP 5: *Shim Window*

Shim along side installation screws to hold window



SET LEVEL

Note: Window will not operate properly if frame members are bowed or distorted.

square in frame, use level to determine plumb. Cross-measure to determine square, using shims where necessary.

STEP 6: *Check Exterior*

Before tightening installation screws, crank window shut and check vents on outside of window. Make sure vents are in perfect alignment when closed. Measure window width at head, center overlap, and sill to insure a square fit. Tighten screws.

STEP 7: *Test Window Operation*

Open and close window several times. Window should operate smoothly and not bind. At this time, it is recommended that a silicon spray be applied to the slide-bar and linkage inside the jamb to insure trouble-free operation.

For multiple window units or picture window groups, prepare and install as above. See detailed drawings on page 3 for mullion assembly.